

TRAKKER 6X6 AT HOME IN EXTREME TERRAIN



AD450

TRAKKER

SPECIFICATIONS AD450 6X6

MASS RATINGS

GVM 33.0 tonnes, GCM 50.0* tonnes.

*higher on application

Chassis mass front 5.18 tonnes

Chassis mass rear 5.15 tonnes

Chassis mass total 10.33 tonnes

Chassis with day cab, oil and coolant, but no fuel, spare wheel or tyre.

SUSPENSION (mm)

	B	C	D Laden	D Unladen
IVECO Cantilever	695	695	1119	1159

CHASSIS DIMENSIONS (mm)

WB	4520
GC (Front)	380
GC (Rear)	310
AF	2250
L	8210
Turning circle*	18700

* For wall to wall, add 1200mm.

CAB DIMENSIONS (mm)

	H
Low roof Day	3234

ENGINE

IVECO Cursor 13 E5 – SCR (Selective Catalytic Reduction)

Type: Turbo charged, after-cooled, electronically direct injected four stroke diesel with IVECO Turbo Brake (ITB)

Number of cylinders: 6

RAC HP rating: 67.8

Total displacement: 12.9 litres

Maximum output: 450hp/336kw @ 1900rpm

Maximum torque: 1622lb ft/2200Nm @ 1000rpm

Optional: Horizontal catalytic muffler with SCR catalyzer integrated into exhaust

TRANSMISSION

IVECO EuroTronic II 16AS2630 TO

Input torque 2600Nm

Automated 16-speed overdrive

Two-pedal operation with automatic or manual shift control

(Rev: 13.07/10.81:1, 1st:14.12:1, 16th:0.83:1),

With oil cooler

REAR AXLE

IVECO 453291 hub reduction – **Capacity:** 32.0 tonnes, **Ratios:** 4.23, Driver controlled differential locks

REAR SUSPENSION

IVECO Cantilever with reinforced rear anti-roll bar

Double acting telescopic shock absorbers

Capacity: 26.0 tonnes

CLUTCH

Self-adjusting single-plate with air assisted hydraulic actuation, pull type. **Diameter:** 432mm

FRONT AXLE

IVECO 5985 with hub reduction – **Type:** Forged steel I-beam, **Capacity:** 8.5 tonnes

FRONT SUSPENSION

Two 1900mm x 90mm parabolic leaf springs with rubber bump stops, 45mm diameter anti-roll bar and double acting telescopic shock absorbers

Capacity: 9.0 tonnes

BRAKES

Type: 2-circuit air system

Front: Drum brakes

Diameter: 410mm

Rear: Drum brakes

Diameter: 410mm

5 x 20-litre aluminium tanks

Desiccant type air dryer/pressure regulator

Semi-trailer air connections

Wabco ABS/EBL and ASR

STEERING

Power-assisted with gear-driven pump

510mm diameter adjustable steering wheel

FUEL SYSTEM

Rectangular steel tanks

1 x 300 litres (RH-S)

1 x 40 litres of AdBlue

Fuel filter

Optional:

1 x 200 RH + 1 x 300l RH = 500l

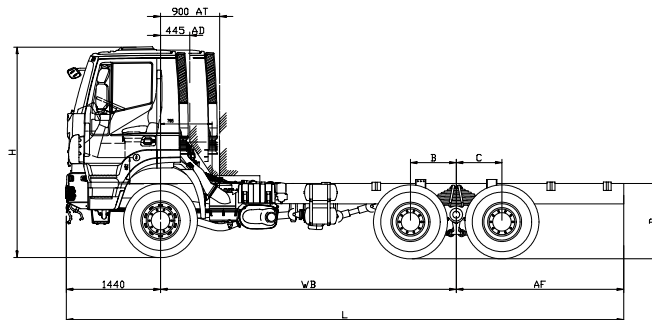
CHASSIS

Type: 309 x 80 x 10mm double joggle medium-tensile steel channel

Yield strength: 490 MPa

Steel bumper with Fog & Driving lights

Square end of frame



ELECTRICAL SYSTEM

Type: 24-Volt, negative to earth

Multiplex computerised CANBUS integrated wiring and systems control network with centralised colour display, controls and diagnostics

Batteries: 2 x 220 amps SAE cold cranking current per battery, with manual isolation switch

Alternator: 28V, 90 amps

Headlamps: 70/75 watt

Rear flood light, Semi-trailer HD ISO 7-pin socket, 12 Volt power outlet in dash, Trailer connections,

70 Watt fog and driving lamps, Tail light brackets

WHEELS AND TYRES

Front wheels: 335mm PCD steel disc wheels, 11.75DC x 22.5

Rear wheels: 335mm PCD steel disc wheels, 9.0DC x 22.5

Front tyres: Michelin* XZY3 + 385/65R22.5

Rear tyres: Michelin* XDY3, 315/80R22.5

Other sizes available as an option

*or different brand, equivalent model

DRIVELINE

Spicer maintenance free shafts

TRANSFER BOX

Type: IVECO 2200

On-road 1.00:1

Off-road 1.60:1

CAB CONSTRUCTION

IVECO ActiveTime 2280mm wide, all steel, forward control day cab with low roof and rear

windows. 1700mm BBC

Four-point cab mounting system with air suspension and dampers on the front and rear. Hydraulic cab tilt to 60°

FEATURES

Active Day Cab: Interior incorporating. Heated air suspended 3-way adjustable driver's seat with pneumatic adjustable lumbar support, and inertia reel belt. Static passenger seat 2-way adjustable with inertia reel belt. Soft feel dashboard with multi-functional steering wheel incorporating touch button menu controls for the real time digital dash display. Dual scale speedometer. All gauge functions monitored using international symbols. Left and right hand entry assist handles. Adjustable steering column, left stalk operating the indicators, main beam, windscreen wash wipe, right stalk operating Eurotronic gear change, engine brake, cruise control and variable speed limiter. Left of the steering column is the dash mounted Eurotronic gearbox controls for automatic and semiautomatic modes, neutral, reverse and low speed manoeuvring mode (forward and reverse). Park brake with door open brake off audible alarm, mobile phone holder. Electronic Pto switch and cab preparation. FMS connectors. Overhead console for CB radio. Remote control radio/ CD, aerial and speakers. Two corner spot lamps illuminating cab access. Courtesy and map reading lights. Rear bulk head storage and writing pad. Door roller blinds.

ACCESSORIES

Two internal sun visors with shade cloth blinds on side windows. Dark grey acrylic exterior sunvisor. Aerodynamic powered and heated mirrors, convex spotter mirror on each side and a kerb view mirror on the passenger side. Manually controlled air conditioning. Heater demister with 4-speed fan. Demist ducts to door glasses. Dual roof-mounted air horns. IVECO Colour Display (ICD) instrument panel. Cluster with white scales and dark background. Electronic speedometer and tachometer; fuel level gauge, engine coolant temperature gauge, and ICD displays for air pressure, system voltage, engine oil level, pressure and temperature, engine coolant temperature. Warning lights in ICD for power divider; difflocks, park brake, engine brake, high beam, fog and driving lights, parking lights, turn signal, hazard lights, low air pressure, brake system fault, park brake, mirror heaters. The ICD also gives information on Hi-Fi settings and control, Clock and alarm settings, trip data and trip computer, diagnostics, mirror adjustments and Eurotronic transmission, functions. Cruise control. AdBlue level. Air controls mounted in centre dash console for park brake, inter-axle locks and cross-diff locks. Gear control lever on steering column. Fully adjustable steering column with floor release switch.



iveco.com.au

IVECO

Your partner for sustainable transport