

STRALIS ATi Prime Mover



IVECO

Your partner for sustainable transport

STRALIS

SPECIFICATIONS ATI PRIME MOVER

CHASSIS DIMENSIONS (mm)

		4x2	6x4
Wheelbase		3650	3900
Overall length		6076	6815
Front ground clearance		217	230
Rear ground clearance		214	227
AF		1048	1475
Turning circle* (kerb to kerb)		12950	14650

*For wall to wall add 1330 mm (6x4) 1280 mm (4x2)

CAB DIMENSIONS (mm)

		Low roof	High roof
H	Unladen (4x2)	2985	3796
H	Unladen (6x4)	2955	3766

SUSPENSION (mm)

		IVECO 4 Bag (4x2)	IVECO 8 Bag (6x4)
B		-	697.5
C		-	697.5
D	Laden	958	1032
D	Unladen	982	1040

MASS RATINGS

- GVM / GCM 17.1 tonnes / 44.0 tonnes (4x2)
- GVM / GCM 25.1 tonnes / 50.0 tonnes (6x4)

		4x2	6x4
Chassis mass front		4.6 tonnes*	4.8 tonnes*
Chassis mass rear		1.8 tonnes*	3.3 tonnes*
Chassis mass total		6.4 tonnes*	8.1 tonnes*

*Weights are to standard configuration and include: chassis cab (or tractor), with no driver or fuel.

ENGINE

460 hp IVECO Cursor 10 (EURO 5)

Maximum Output: 460 hp

Maximum Torque: 2100 Nm @ 1125 rpm

Emissions Technology: Selective Catalytic Reduction

Total Displacement: 10.308 litre

Exhaust: Horizontal catalytic muffler with integrated SCR catalyser

TRANSMISSION

I2-speed IVECO Overdrive Automatic

Type: Eurotronic II I2AS1930 TD

- 2-pedal operation with automatic or manual shift control

Optional: Hydraulic Retarder

STEERING

Type: ZF 8098 power-assisted with gear driven pump

Diameter: 470 mm diameter adjustable steering wheel

FRONT AXLE & SUSPENSION

IVECO 5876

Type: Forged steel I-beam

Capacity: 7.5 tonnes

Suspension Type: Parabolic leaf springs and double acting shock absorbers

Capacity: 7.1 tonnes

REAR AXLE & SUSPENSION

Meritor MS13-175 single reduction (4x2) / Meritor MT23-155 single reduction (6x4)

Capacity: 11.5 tonnes (4x2) / 21.0 tonnes (6x4)

Ratios: 3.08 (4x2) 3.09 (6x4)

Suspension Type: IVECO 4 Bag (4x2) / IVECO 8 bag (6x4) with ECAS to control ride height

Differential: Driver controlled differential locks

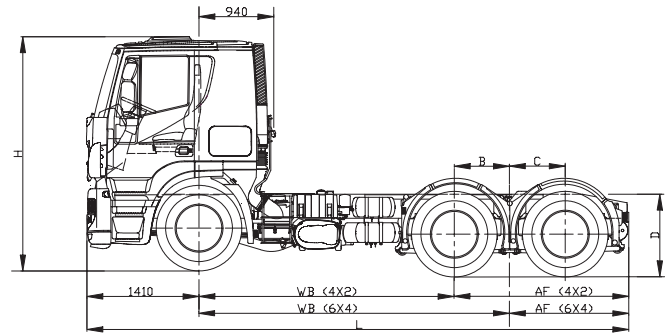
BRAKES

Type: Wabco E 4-channel EBS + ABS + ASR 4-circuit air system and Hill Holder

Front / Diameter: Knorr disc brakes / 432 mm

Rear / Diameter: Knorr disc brakes / 432 mm

- Semi trailer air connections
- Aluminium air reservoirs



FUEL SYSTEM

600 litre rectangular aluminium tank (RHS) and 55 litre AdBlue tank

Optional: 400 litre fuel tank and 40 litre AdBlue tank and vertical exhaust (6x4)

CHASSIS

Type: 304 x 80 x 7.7 mm (6x2) and 6.7 mm (4x2) medium tensile steel channel

- Polypropylene bumper with fog and driving lights
- FUPS
- Tapered end of frame with fifth wheel mounting angles

ELECTRICAL SYSTEM

Type: 24 Volt

Multiplex computerised CANBUS integrated wiring and systems control network with centralised colour display, controls and diagnostics

Batteries: 2 x 220 Ah with automatic isolation switch

Alternator: 24 Volt-90 A

WHEELS & TYRES

Wheels: 8.25DC x 22.5 10-stud 335 mm PCD steel disc

Front Tyres: Michelin XZE2 295/80 R22.5* (4x2)

Rear Tyres: Michelin XZE2 295/80 R22.5* (4x2)

Front Tyres: 295/80 R22.5 Dunlop SP350* (6x4)

Rear Tyres: 11 R22.5 Dunlop SP431A* (6x4)

*Or different brand, equivalent model

COOLING SYSTEM

- Radiator frontal area: 0.68 m²
- Charge air cooler frontal area: 0.5 m²

DRIVELINE

- Klein or Dana 2045 series compact maintenance free shafts

CAB CONSTRUCTION

- IVECO Active Time 2280 mm wide, all steel, forward control low roof sleeper cab
- Four-point cab mounting system with mechanical suspension and dampers at rear
- Hydraulic cab tilt

CAB FEATURES

- Fully adjustable ISRI self levelling air suspension driver's seat with headrest, armrest, adjustable damper and integrated lap-sash retractor seat belt
- Fixed ISRI passenger seat with lap-sash retractor seat belt
- Active Time sleeper cab with 2020 x 620 mm lower bunk mattress, privacy curtains and food cooler box
- 90° opening doors with electronically operated windows
- Radio/CD MP3 player with Bluetooth and steering wheel controls
- Storage lockers and compartments above console and below bunk
- Automatic climate control
- Expansion module and PTO provision
- Daytime Running Lights (DRL)
- Adaptive Cruise Control (ACC)
- Early Lane Departure Warning (ELDWS)

Optional:

- High Roof



iveco.com.au

IVECO

Your partner for sustainable transport