

DAILY 50C
STRONG BY NATURE



IVECO

Your partner for sustainable transport

DAILY SPECIFICATIONS 50C

DIMENSIONS (mm)

| | | 3520 | 3520 | 3520L | 4100 | 4100 | 4100L |
|----------|------------------------------|-----------|-----------|----------|----------|----------|----------|
| X | Wheelbase | 3520 | 3520 | 3520L | 4100 | 4100 | 4100L |
| H | Overall height unladen | H1 / 2300 | H2 / 2700 | H2/ 2700 | H2/ 2700 | H3/ 2900 | H3/ 2900 |
| K | Overall length | 5648 | 5648 | 6048 | 7228 | 7228 | 7498" |
| | Front track | 1740 | 1740 | 1740 | 1740 | 1740 | 1740 |
| | Rear track | 1542 | 1542 | 1542 | 1542 | 1542 | 1542 |
| Y | Rear overhang | 1120 | 1120 | 1520 | 2120 | 2120 | 2390" |
| | Turning circle: kerb to kerb | 12744 | 12744 | 12744 | 14564 | 14564 | 14564 |
| | Turning circle: wall to wall | 13366 | 13366 | 13366 | 15190 | 15190 | 15190 |

CARGO AREA (mm)

| | | 9 | 10.8 | 12 | 16 | 18 | 20 |
|----------|-----------------------------|------|------|------|------|------|------|
| | Volume (m3) | | | | | | |
| | Internal length | 3220 | 3220 | 3540 | 4680 | 4680 | 5125 |
| | Internal width | 1740 | 1740 | 1740 | 1740 | 1740 | 1740 |
| | Internal height | 1545 | 1900 | 1900 | 1900 | 2100 | 2100 |
| T | Height of loading floor | 770 | 770 | 770 | 770 | 770 | 770 |
| | Wheel house distance (int.) | 1032 | 1032 | 1032 | 1032 | 1032 | 1032 |
| | Rear door opening width | 1530 | 1530 | 1530 | 1530 | 1530 | 1530 |
| | Rear door opening height | 1450 | 1800 | 1800 | 1800 | 2000 | 2000 |
| | Side door opening width | 1260 | 1260 | 1260 | 1260 | 1260 | 1260 |
| | Side door opening height | 1450 | 1800 | 1800 | 1800 | 1800 | 1800 |

MASS (kg)

| | | | | | | |
|-------------------------------------|----------------|----------------|----------------|----------------|----------------|----------------|
| GVM | 4495 | 4495 | 4495 | 4495 | 4495 | 4495 |
| GCM | 7995 | 7995 | 7995 | 7995 | 7995 | 7995 |
| GVM (Option) | 5200 | 5200 | 5200 | 5200 | 5200 | 5200 |
| GCM (Option) | 8700 | 8700 | 8700 | 8700 | 8700 | 8700 |
| Towing capacity with braked trailer | 3500 | 3500 | 3500 | 3500 | 3500 | 3500 |
| Front axle capacity | 2100 | 2100 | 2100 | 2100 | 2100 | 2100 |
| Rear axle capacity | 3700 | 3700 | 3700 | 3700 | 3700 | 3700 |
| Kerb mass front axle | 1385 | 1382 | 1318 | 1383 | 1421 | 1392 |
| Kerb mass rear axle | 1023 | 1032 | 1115 | 1158 | 1219 | 1299 |
| Kerb mass total* | 2408 | 2414 | 2433 | 2541 | 2640 | 2691 |
| Payload capacity | 2087 2792** | 2081 2786** | 2062 2767** | 1954 2659** | 1855 2560** | 1804 2509** |

* Kerb masses are with minimal fuel, spare wheel, tools and no driver.

** Option.

ENGINE

- IVECO FIC (EURO 5)

Type: 170hp: IVECO FIC (EURO 5) – 4 stroke diesel with direct-injection, Variable Geometry Turbocharger (VGT) and intercooler.

Optional: 205hp: IVECO FIC (EURO 5) – 4 stroke diesel with direct-injection, Twin Stage Turbo (TST) and intercooler.

Maximum Output: 170hp/125kw @ 2900-3500 rpm

Optional: 205hp/150kw @ 3100-3500 rpm

Maximum Torque: 317 lb ft/430Nm @ 1500-2600 rpm

Optional: 347 lb ft/470Nm @ 1400-3000 rpm

Emissions Technology: Exhaust Gas Recirculation system

Total Displacement: FIC: 3.0 litre

Exhaust: Muffler horizontally positioned on the right side and tailpipe located mid-way down right side of vehicle

FRONT AXLE & SUSPENSION

- IVECO 5819

Capacity: 2100 kg

Suspension Type: Independent with adjustable steel torsion bar

Capacity: 2100 kg

REAR AXLE & SUSPENSION

- IVECO 450511 full-floating single reduction

Capacity: 3700 kg

Suspension Type: Rear parabolic spring

Optional: ECAS - Rear air suspension

Capacity: 3700 kg

Rear axle ratio: 3.60:1

Optional: Driver Controlled Differential Lock

BRAKES

Type: ESP 9 + ABS + ASR 9 with EBD (Electronic Brake force Distribution) and Hill Holder

Front / Diameter: Ventilated disc brakes / 290 mm (28mm thick)

Rear / Diameter: Disc brakes / 290 mm (22mm thick)

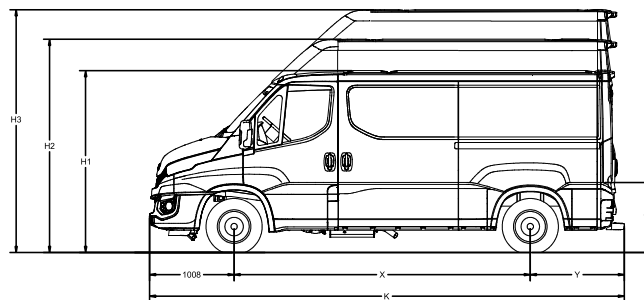
Parking brake: Manual brake operating on rear axle

Service brakes: Dual circuit with vacuum servo

- Pad wear warning light for front and rear brakes

STEERING

- Power steering
- 390mm diameter steering wheel with telescopic adjustment



FUEL SYSTEM

- 100 litres with fuel cap location on passenger side

CHASSIS

- C Section steel longitudinal side members with tapered ends and tubular cross members

TRANSMISSION

- 6 speed synchromesh single overdrive manual transmission

Type: 2840.6 OD

1st 5.375, 2nd 3.154, 3rd 2.041, 4th 1.365, 5th 1.000, 6th 0.791 OD, Rev. 4.838

- 8 Speed ZF Torque Converter Automatic (Hi-Matic)

Type: 2850.6 DOD -- with 205HP

1st 4.655, 2nd 2.48, 3rd 1.44, 4th 1.000, 5th 0.796 OD, 6th 0.685 DOD, Rev. 4.189

Type: 8V470A

1st 4.696, 2nd 3.130, 3rd 2.104, 4th 1.667, 5th 1.285, 6th 1.000, 7th 0.839 OD,

8th 0.667 DOD, Rev. 3.297

CLUTCH

- Single dry plate
- Hydraulically controlled

Diameter: 280 mm

ELECTRICAL SYSTEM

Battery: 12V – 110 Ah

Smart Alternator: 12V – 180 A

- Trailer wiring to rear of chassis

WHEELS & TYRES

Wheels: Steel 5J x R16

Tyres: 195/75 R16

CABIN FEATURES

- Driver, passenger and curtain airbags with seat belt pretensioners
- Heated, suspended and fully adjustable driver's seat with headrest
- Dual bench passenger seats with headrests, extractable table and storage underneath
- Cruise control
- Electric windows
- Exterior mirror with integrated wide angle and direction indicators, heated and electronically adjustable
- Overhead console with storage shelf and space for additional equipment
- Large dual storage pockets in doors
- Document storage compartment
- Body builder connections
- Additional in-dash storage
- ECO function (170hp)
- Automatic climate control

DASHBOARD

- Analogue electronic speedometer
- Electronic tachometer
- Fuel level indicator with reserve light indicator
- Coolant temperature indicator with high temperature indicator light
- Instrument light dimmer switch
- Dash-mounted gear lever
- 3 storage areas on top of dash
- LCD Display Panel includes: odometer, trip computer with distance, time, fuel consumption etc; headlamp orientation, clock, speed limit exceeding, external temperature and service indicator
- IVECONNECT multimedia system with reverse camera including MP3 player, USB and AUX connectivity, bluetooth with steering controls

SECURITY

- Central locking with remote control
- Steering lock
- Engine immobiliser

LOAD AREA

- Floor – steel ribbed with load lashing rings
- Sides – reinforced with load lashing rings
- Side access via top hung side sliding door internal step and grab handle
- Rear access by hinged doors with stops at 90° and 270° and grab handle
- Interior lights at side and rear (door operated with individual isolation)
- Rear doors with windows
- Full bulkhead with window

OPTIONS

- Dual sliding doors
- Heated, suspended and fully adjustable single passenger seat
- *Rear Step (add 130mm to dimension Y & K)



OFFICIAL TEAM TRANSPORTER

IVECO

Your partner for sustainable transport