

# EUROCARGO EEV MLI40 THE TRUCK THE CITY LIKES



Overseas Model Shown



# IVECO

Your partner for sustainable transport

# EURO CARGO

## SPECIFICATIONS EEV MLI40

### DIMENSIONS (MM)

Cab	Day	Sleeper	Dual
VVB	5175	5670	5175
AF	2685	3000	2685
L	9232	10042	9232
CF	7485	7715	6345
H (unladen)	2735	2730	2723
HI (unladen)	-	3390	-
D (unladen)	895	897	901
Turning circle* (kerb to kerb)	17740	19260	17740

\* For wall to wall, add 1180 mm

### MASS (KG)

Cab	Day	Sleeper	Dual
Kerb mass front axle	3135	3260	3430
Kerb mass rear axle	1600	1660	1790
Kerb mass total**	4735	4920	5220
GVM	14T	14T	14T
GCM	N/A	N/A	N/A

\*\*Approximate only with low roof cab chassis with oil and coolant, 10 litres of fuel and without driver

### ENGINE

250 hp IVECO Tector 6 (F4A) (5.88 litre 6 cylinder) high pressure common rail electronic injection, turbo charged and intercooled 24 valve four stroke diesel.

**Maximum Output:** 250 hp @ 2,700 rpm

**Maximum Torque:** 850 Nm @ 1,250 rpm

**Emission Standard:** Euro 5 (EEV) SCR (Selective Catalytic Reduction)

### TRANSMISSION

9-speed ZF 9S-1110 over-drive synchromesh with dash mounted gear shift  
1st 9.48:1, 2nd 6.58:1, 3rd 4.68:1, 4th 3.48:1, 5th 2.62:1, 6th 1.89:1, 7th 1.35:1, 8th 1.00:1, 9th 0.75:1, Reverse 8.97:1

**Optional Transmission:** Allison S3000 5 speed automatic

### STEERING

**Type:** Power-assisted with gear-driven pump

**Diameter:** 470mm diameter steering wheel with tilt + telescopic adjustment.

### CLUTCH

**Type:** Single dry plate with mechanical / hydraulic release

**Diameter:** 395mm

### FRONT AXLE & SUSPENSION

IVECO 5860

**Capacity:** 5,100kg

**Suspension:** Parabolic springs with dual-action hydraulic shock absorbers and stabiliser bar fitted.

### REAR AXLE & SUSPENSION

Meritor MS10-144 with differential lock

**Capacity:** 9500kg

**Suspension Type:** Two bellows, rear air bag suspension with dual-action hydraulic shock absorbers. Electronically Controlled Air Suspension (ECAS) including dual-rear levelling valves

**Rear Axle Ratio:** 3.73:1 (Manual transmission), 3.73:1 (Allison Automatic transmission)

### BRAKES

**Type:** ESP + ABS + ASR with 2 circuit air system

**Front / Diameter:** Ventilated disc brakes / 377mm with floating calipers

**Rear / Diameter:** Ventilated disc brakes / 377mm with floating calipers

**Parking Brake:** Spring-actuated brake acting on rear wheels

**Other:** Exhaust brake and air dryer

### FUEL SYSTEM

280 litre square alloy tank and 25 litre AdBlue tank

Fuel prefilter with water separator

### ELECTRICAL

**Type:** 24 Volt

24 Volt -12 Volt converter in cab

**Alternator Capacity:** 28 Volt, 90 amp

**Starter:** 24 Volt, 4.0 kW

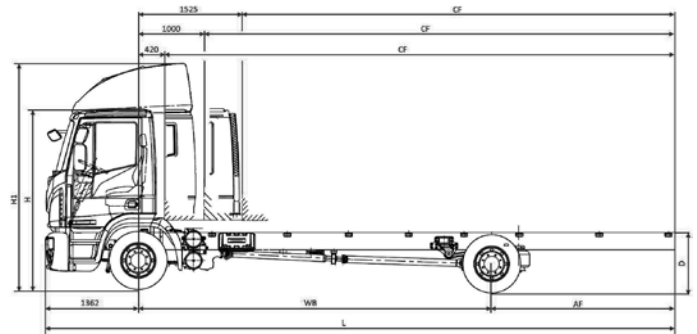
**Battery:** 2 x 12 Volt - 170 Ah  
Automatic battery isolation switch

### CHASSIS

**Type:** Bolted parallel channel

**Size:** 253.4 x 70 x 6.7mm

**Width:** 853mm



### WHEELS & TYRES

**Rim size:** 19.5" x 7.5"

**Tyre Size:** 285/70R19.5 tubeless radial

**Stud / Pattern:** M22, 8 x 275mm PCD steel disc rims

### CAB

**Type:** Forward-control (MLC) Day cab treated with anti-corrosion protection

#### Optional Cab:

(MLL) Sleeper cab low roof with bunk, curtains, reading lamp, roof hatch and one internal and two external lockers  
(MLD) Dual cab with 6 passenger seats

**Bunk Dimensions:** 1900 x 605 x 95 mm

Cab colour bumper

**Front Cab Suspension:** Two coil springs, shock absorbers and torsion bar

**Rear Cab Suspension:** Two units with coils springs. Hydraulic cab tilt to 57 degrees

### FEATURES

- ECE R29 compliant cab
- LED DRL (Daytime Running Lights)
- Sun filter windscreen
- 2 USB plugs
- Cards/coins holder
- Expansion module
- Lift-up front panel for daily checks
- Fully-adjustable Isringhausen driver's air-suspension seat with headrest
- Dual bench-passenger seat
- 2 x lap-sash seat belts for outboard positions, 1 x lap seat belt for centre position
- Bluetooth radio
- 90-degree opening doors
- Remote Central Locking
- Cruise control
- Stowage compartment in overhead console, both doors and rear cab wall
- 2-speed wipers with intermittent control
- Courtesy and map lamps
- Electric horn
- 12-volt power socket (10 amp)
- Electrically operated driver and passenger side windows
- Aerodynamic, remote-control heated mirrors with a convex, spotter and over-the-kerb mirror on the left-hand side
- Air conditioning

### INSTRUMENTATION

Electronic anti-glare instrument panel.

**Gauges:** Speedometer, odometer with trip meter, tachometer, water temperature, fuel level, oil pressure and air pressure.

**Warning lamps:** Power-steering circuit failure, front and rear brake wear, high water temperature, air-cleaner restriction, cab unlatched, low alternator charge, high beam, exterior lights on, hazard warning lights on, low oil pressure, reserve fuel, park brake on, water in pre-filter, brake system failure.

**LCD information panel:** System diagnostics, lighting system check, Adblue level indicator, programmable maintenance scheduling, digital clock, trip 1 and 2 computer, fuel consumption indicator and ambient temperature.

### OPTIONS:

- High roof on sleeper cab
- Fridge (with sleeper cab only)
- Air suspended single passenger seat
- Central office box (with single passenger seat in day cab only)
- Electric Servo assisted cab tilt
- External sun visor



iveco.com.au

# IVECO

Your partner for sustainable transport