

EUROCARGO E6 MLI80 THE TRUCK THE CITY LIKES



Overseas Model Shown



IVECO

Your partner for sustainable transport

EURO CARGO

SPECIFICATIONS E6 MLI80

DIMENSIONS (mm)

| Cab | Day | Day | Sleeper |
|--------------------------------|-------|-------|---------|
| VVB | 5670 | 6570 | 6570 |
| AF | 2235 | 2775 | 2775 |
| L | 9267 | 10707 | 10707 |
| CF | 7485 | 8925 | 8345 |
| H (unladen) | 2857 | 2857 | 2857 |
| HI (unladen) | - | - | 3517 |
| D (unladen) | 937 | 937 | 937 |
| Turning circle* (kerb to kerb) | 19200 | 21900 | 21900 |

* For wall to wall, add 1180 mm

MASS (kg)

| Cab | Day | Day | Sleeper |
|----------------------|------|------|---------|
| Kerb mass front axle | 3689 | 3746 | 3856 |
| Kerb mass rear axle | 2195 | 2298 | 2318 |
| Kerb mass total** | 5884 | 6044 | 6174 |
| GVM | 18T | 18T | 18T |
| GCM | N/A | N/A | N/A |

** approximate only, with low roof, cab chassis with oil and coolant, 10 litres of fuel and without driver

ENGINE

280 hp IVECO Tector 7 (6.7 litre 6 cylinder) high pressure common rail electronic injection, turbo charged and intercooled 24 valve four stroke diesel

Maximum Output: 280 hp @ 2500 rpm

Maximum Torque: 1000 Nm @ 1250 rpm

Optional Horse Power:

Maximum Output: 320 hp @ 2500 rpm

Maximum Torque: 1100 Nm @ 1250 rpm

Emission Standard: Euro 6 SCR (Selective Catalytic Reduction)

TRANSMISSION

9-speed ZF 9S-1110 over-drive synchromesh with dash mounted gear shift,

H over H shift pattern

1st 9.48:1, 2nd 6.58:1, 3rd 4.68:1, 4th 3.48:1, 5th 2.62:1, 6th 1.89:1, 7th 1.35:1, 8th 1.00:1, 9th 0.75:1, Reverse 8.97:1

Optional Transmission:

Allison S3000 5-speed automatic transmission

ZF 12AS1210 TO - 12 Speed Automated

STEERING

Type: Power-assisted with gear-driven pump

Diameter: 470 mm steering wheel with tilt + telescopic adjustment

CLUTCH

Type: Single dry plate with mechanical/hydraulic release

Diameter: 395 mm

FRONT AXLE & SUSPENSION

IVECO 5871/5

Capacity: 7100 kg

Suspension Type: Parabolic springs with dual-action hydraulic shock absorbers and stabiliser bar fitted

REAR AXLE & SUSPENSION

Meritor MS13-17X with differential lock

Capacity: 11,500 kg

Suspension Type: Quad bellows, rear air bag suspension with dual-action hydraulic shock absorbers and stabiliser bar Electronically Controlled Air Suspension (ECAS) including dual-rear levelling valves.

Rear Axle Ratio: 4.63:1 (Manual transmission), 4.63:1 (Allison Automatic transmission) 4.11 (Automated transmission)

BRAKES

Type: ESP + ABS + ASR with AEBS (Advanced Emergency Braking System), 2 circuit air system and Hill Holder

Front / Diameter: Ventilated disc brakes / 432 mm with floating caliper

Rear / Diameter: Ventilated disc brakes / 432 mm with floating caliper

Parking Brake: Spring-actuated park brake acting on rear wheels

Other: Exhaust brake and air dryer

FUEL SYSTEM

280 litre square alloy tank and 30 litre AdBlue tank

- Fuel prefilter with water separator

ELECTRICAL

Type: 24 Volt

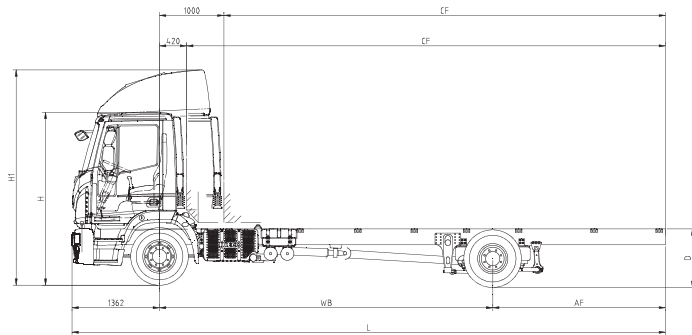
24 Volt-12 Volt converter in cab

Alternator Capacity: 28 Volt, 90 amp

Starter: 24 Volt, 4.0 kW

Battery: 2 x 12 Volt-170 Ah

Automatic battery isolation switch



CHASSIS

Type: Bolted parallel channel

Size: 277.9 x 80 x 7.7 mm external

Width: 855 mm

WHEELS & TYRES

Rim Size: 22.5" x 8.25"

Tyre Size: 295/80 R22.5 tubeless radial

Stud / Pattern: M22, 10 x 335 mm PCD steel disc rims

CAB

Type: Forward-control (MLC) Day cab treated with anti corrosion protection

Optional: (MLL) Sleeper cab low roof with bunk, curtains, reading lamp, roof hatch and one internal and two external lockers

Bunk Dimensions: 1900 x 605 x 95 mm

Cab colour bumper

Front Cab Suspension: Two coil springs, shock absorbers and torsion bar

Rear Cab Suspension: Two units with coils springs. Hydraulic cab tilt to 57 degrees

FEATURES

- Driver airbag
- ECE R29 compliant cab
- LED DRL (Daytime Running Lights)
- Sun filter windscreen
- 2 USB plugs
- Cards/coins holder
- Expansion module
- Lift-up front panel for daily checks
- Fully-adjustable Isringhausen driver's air-suspension seat with headrest
- Dual bench-passenger seat with fold-down central oddments tray
- 2 x lap-sash seat belts for outboard positions, 1 x lap seat belt for centre position
- AM, FM, USB charger, Bluetooth and DAB radio, multi-functional steering wheel
- 90-degree opening doors
- Remote Central Locking
- Cruise control
- Stowage compartment in overhead console, both doors and rear cab wall
- 2-speed wipers with intermittent control
- Courtesy and map lamps
- Electric horn
- 12-volt power socket (10 amp)
- Electrically operated driver and passenger side windows
- Aerodynamic, remote-control heated mirrors with a convex, spotter and over-the-kerb mirror on the left-hand side
- ACC (Adaptive Cruise Control) + LDW (Lane Departure Warning)
- Air conditioning

INSTRUMENTATION

Electronic anti-glare instrument panel

Gauges: Speedometer, odometer with trip meter, tachometer, water temperature, fuel level, oil pressure and air pressure

Warning Lamps: Power-steering circuit failure, front and rear brake wear, high water temperature, air-cleaner restriction, cab unlatched, low alternator charge, high beam, exterior lights on, hazard warning lights on, low oil pressure, reserve fuel, park brake on, water in pre-filter, brake system failure

LCD Information Panel: System diagnostics, lighting system check, AdBlue level indicator, programmable maintenance scheduling, digital clock, trip 1 and 2 computer, fuel consumption indicator and ambient temperature

OPTIONS:

- High roof on sleeper cab
- Fridge (with sleeper cab only)
- Air suspended single passenger seat
- Central office box (with single driver and passenger seat)
- Electric servo assisted cab tilt
- External sun visor



iveco.com.au

IVECO

Your partner for sustainable transport

IVECO TRUCKS AUSTRALIA, LIMITED AB.N. 86 004 065 061, PRINCIPLES HWY DANDENONG, VICTORIA 3175 PO BOX 117 DANDENONG, VICTORIA 3175 TELEPHONE (03) 9928 2200 WWW.IVECO.COM.AU THE INFORMATION IN THIS DOCUMENT WAS CORRECT AT THE TIME OF PRINTING. ALL WEIGHTS AND DIMENSIONS ARE APPROXIMATE ONLY IF AN EXACT WEIGHT OR DIMENSION IS REQUIRED PLEASE CONTACT YOUR LOCAL AUTHORIZED IVECO DEALER ALWAYS CONSULT AN AUTHORIZED IVECO DEALER BEFORE DECIDING TO PLACE AN ORDER. OVERSEAS IMAGES ARE SHOWN THROUGHOUT THIS DOCUMENT. IMAGES IN THIS DOCUMENT MAY SHOW EQUIPMENT NOT INCLUDED IN THE STANDARD VEHICLE AND ARE SUBJECT TO AVAILABILITY. WE RESERVE THE RIGHT TO AMEND ANY PART OF THIS DOCUMENT WITHOUT NOTICE. IVECT0012.07/20