

# EUROCARGO E6 MLI 20 THE TRUCK THE CITY LIKES



# E6

Overseas Model Shown



# IVECO

Your partner for sustainable transport

# E U R O C A R G O

## SPECIFICATIONS E6 MLI20

### DIMENSIONS (mm)

Cab	Day	Sleeper
VWB	5175	5670
AF	2685	3000
L	9222	10032
CF	7440	7670
H (unladen)	2673	2673
HI (unladen)	-	3333
D (unladen)	898	898
Turning circle* (kerb to kerb)	17740	19260

\* For wall to wall, add 1180 mm

### MASS (kg)

Cab	Day	Sleeper
Kerb mass front axle	3174	3292
Kerb mass rear axle	1609	1676
Kerb mass total**	4783	4968
GVM	12T	12T
GCM	N/A	N/A

\*\*approximate only, with low roof, cab chassis with oil and coolant, 10 litres of fuel and without driver

### ENGINE

250 hp IVECO Tector 7 (6.7 litre 6 cylinder) high pressure common rail electronic injection, turbo charged and intercooled 24 valve four stroke diesel

**Maximum Output:** 250 hp @ 2500 rpm

**Maximum Torque:** 850 Nm @ 1250 rpm

**Emission Standard:** Euro 6 SCR (Selective Catalytic Reduction)

### TRANSMISSION

9-speed ZF 9S 75 TO Manual

1st 9,56 : 1, 2nd 6,47 : 1, 3rd 4,72 : 1, 4th 3,50 : 1, 5th 2,54 : 1, 6th 1,85 : 1, 7th 1,35 : 1, 8th 1,00 : 1, 9th 0,73 : 1, Reverse 8,53 : 1

**Optional Transmission:** Allison S3000 5-speed automatic transmission

### STEERING

**Type:** Power-assisted with gear-driven pump

**Diameter:** 470 mm steering wheel with tilt + telescopic adjustment

### CLUTCH

**Type:** Single dry plate with mechanical / hydraulic release

**Diameter:** 395 mm

### FRONT AXLE & SUSPENSION

IVECO 5860

**Capacity:** 4480 kg

**Suspension Type:** Parabolic springs with dual-action hydraulic shock absorbers and stabiliser bar fitted

### REAR AXLE & SUSPENSION

Meritor MS10-144 with differential lock

**Capacity:** 8480 kg

**Suspension Type:** Two bellows, rear air bag suspension with dual shock absorbers. Electronically Controlled Air Suspension (ECAS) including dual-rear levelling valves

**Rear Axle Ratio:** 3.90:1 (Manual transmission), 4.11:1 (Allison Automatic transmission)

### BRAKES

**Type:** ESP + ABS + ASR with AEBS (Advanced Emergency Braking System), 2 circuit air system and Hill Holder

**Front / Diameter:** Ventilated disc brakes / 377 mm with floating calipers

**Rear / Diameter:** Ventilated disc brakes / 377 mm with floating calipers

**Parking Brake:** Spring-actuated park brake acting on rear wheels

**Other:** Exhaust brake and air dryer

### FUEL SYSTEM

280 litre square alloy tank and 30 litre AdBlue tank

- Fuel prefilter with water separator

### ELECTRICAL

**Type:** 24 Volt

24 Volt-12 Volt converter in cab

**Alternator Capacity:** 28 Volt, 90 amp

**Starter:** 24 Volt, 4.0 kW

**Battery:** 2 x 12 Volt-170 Ah

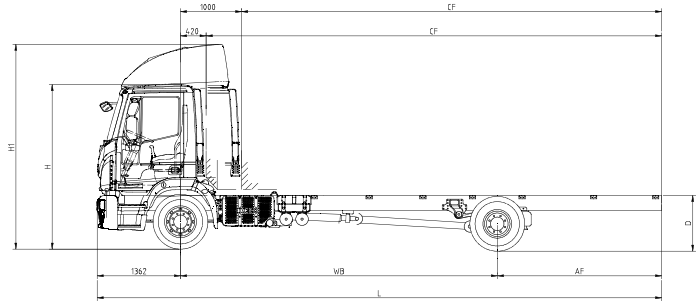
Automatic battery isolation switch

### CHASSIS

**Type:** Bolted parallel channel

**Size:** 253.4 x 70 x 6.7 mm

**Width:** 853 mm



### WHEELS & TYRES

**Rim Size:** 19.5" x 6.75"

**Tyre Size:** 265/70 R19.5 tubeless radial

**Stud / Pattern:** M22, 8 x 275 mm PCD steel disc rims

### CAB

**Type:** Forward-control (MLC) Day cab treated with anti corrosion protection

**Optional:** (MLL) Sleeper cab low roof with bunk, curtains, reading lamp, roof hatch and one internal and two external lockers

**Bunk Dimensions:** 1900 x 605 x 95 mm

Cab colour bumper

**Front Cab Suspension:** Two coil springs, shock absorbers and torsion bar

**Rear Cab Suspension:** Two units with coils springs. Hydraulic cab tilt to 57 degrees

### FEATURES

- Driver airbag
- ECE R29 compliant cab
- DRL (Daytime Running Lights)
- Sun filter windscreen
- 2 USB plugs
- Cards/coins holder
- Expansion module
- Lift-up front panel for daily checks
- Fully-adjustable Isringhausen driver's air-suspension seat with headrest
- Dual bench-passenger seat
- 2 x lap-sash seat belts for outboard positions, 1 x lap seat belt for centre position
- Bluetooth radio, CD player, multi functional steering wheel
- 90-degree opening doors
- Remote Central Locking
- Cruise control
- Stowage compartment in overhead console, both doors and rear cab wall
- 2-speed wipers with intermittent control
- Courtesy and map lamps
- Electric horn
- 12-volt power socket (10 amp)
- Electrically operated driver and passenger side windows
- Aerodynamic, remote-control heated mirrors with a convex, spotter and over-the-kerb mirror on the left-hand side
- Air conditioning

### INSTRUMENTATION

Electronic anti-glare instrument panel.

**Gauges:** Speedometer, odometer with trip meter, tachometer, water temperature, fuel level, oil pressure and air pressure

**Warning Lamps:** Power-steering circuit failure, front and rear brake wear, high water temperature, air-cleaner restriction, cab unlatched, low alternator charge, high beam, exterior lights on, hazard warning lights on, low oil pressure, reserve fuel, park brake on, water in pre-filter, brake system failure

**LCD Information Panel:** System diagnostics, lighting system check, AdBlue level indicator, programmable maintenance scheduling, digital clock, trip 1 and 2 computer, fuel consumption indicator and ambient temperature

### OPTIONS:

- LDW (Lane Departure Warning)
- ACC (Adaptive Cruise Control)
- High roof on sleeper cab
- Air suspended single passenger seat
- Central office box (with single passenger seat in day cab only)
- Group backwards (only with chassis mounted air filter)
- Electric servo assisted cab tilt
- External sun visor



iveco.com.au

# IVECO

Your partner for sustainable transport

IVECO TRUCKS AUSTRALIA, LIMITED AB N. 86 004 065 061, PRINCIPAL HWY DANDENONG, VICTORIA 3175 PO BOX 117 DANDENONG, VICTORIA 3175 TELEPHONE (03) 99 28 2200 WWW.IVECO.COM.AU THE INFORMATION IN THIS DOCUMENT WAS CORRECT AT THE TIME OF PRINTING. ALL WEIGHTS AND DIMENSIONS ARE APPROXIMATE ONLY IF AN EXACT WEIGHT OR DIMENSION IS REQUIRED PLEASE CONTACT YOUR LOCAL AUTHORIZED IVECO DEALER ALWAYS CONSULT AN AUTHORIZED IVECO DEALER BEFORE DECIDING TO PLACE AN ORDER. OVERSEAS IMAGES ARE SHOWN THROUGHOUT THIS DOCUMENT. IMAGES IN THIS DOCUMENT MAY SHOW EQUIPMENT NOT INCLUDED IN THE STANDARD VEHICLE AND ARE SUBJECT TO AVAILABILITY. WE RESERVE THE RIGHT TO AMEND ANY PART OF THIS DOCUMENT WITHOUT NOTICE. IVECI 474\_02/19