

**SPECIFICATION SHEET**

# DAILY

**50C18**

**CAB CHASSIS**

L I G H T  
R A N G E



**IVECO**

# 50C18

CAB CHASSIS

## ENGINE

IVECO FIC 3.0l - 4 stroke diesel with direct-injection, turbocharger and intercooler. Water-cooled with electromagnetic fan. Cast-iron engine block with aluminium cylinder head. New generation common rail injection system. Exhaust gas recirculation system - EGR. Exhaust system with muffler longitudinally positioned on the right side and stub-pipe located mid-way down right side of vehicle.

### Basic data

Number of cylinders: 4 (16 valves) vertical in line.

Bore x stroke: 95.8 mm x 104 mm.

Total displacement: 2998 cm<sup>3</sup>

Engine	3.0 HPT*
Power (hp/Kw)	176/130
At rpm:	3200-3500
Torque (Nm/lbft)	400/295
At rpm:	1250-3000

\*HPT: High Performance Turbine with VGT – Variable Geometry Turbo.

## FRAME

C Section steel longitudinal side members with tapered ends and tubular cross members.

Wheelbase (mm)	3750	4350
Cross members	6	7
Side member height (mm)	182	182
Side member width (mm)	70	70
Side member thickness (mm)	4	4

## TRANSMISSION

Six speed synchronesh overdrive manual transmission.

Type: 6S400 OD.

### Gear ratios

1st	2nd	3rd	4th	5th	6th	Rev.1st
5.373	3.154	2.041	1.365	1.000	0.791	4.838

Optional transmission automated: *AGile*

Six speed synchronesh overdrive automated transmission.

Type: 6AS400

### Gear ratios

1st	2nd	3rd	4th	5th	6th	Rev.1st
5.373	3.154	2.041	1.365	1.000	0.791	4.838

## CLUTCH

Single dry plate.

Hydraulically controlled.

External diameter: 280 mm (11")

## AXLES

Front: Iveco 5819 independent, 1900 kg capacity.

Rear: Iveco 450511 full-floating single reduction, 3700 kg capacity.

Rear axle ratio: 3.91:1

## SUSPENSION

Front: Independent with adjustable torsion bar anchored to the chassis integrated with double-acting telescopic shock absorbers and anti-roll bar.

Rear: Multileaf spring, rubber rebound bump stops, heavy duty shock absorbers and anti-roll bar.

## LIGHTING & SIGNALING SYSTEM

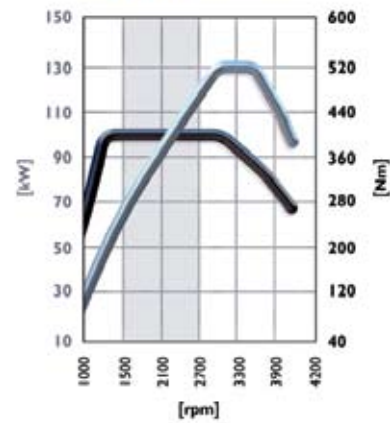
Halogen headlamps; twin front and rear fog lamps and twin reverse lamps.

## WHEELS / TYRES

Tyres: 195/75 R16.

Wheels: 5JK 16H1.

3.0 HPT-176 HP E4



## ELECTRICAL SYSTEM

Battery: 12V - 110 Ah.

Alternator: 12V - 140 A.

Trailer wiring to rear of chassis.

## BRAKING SYSTEM

ABS 8 with EBD - Electronic Brake force Distribution.

Front / Diameter: Ventilated disc brakes / 290 mm.

Rear / Diameter: Disc brakes / 290 mm.

Parking brake: Manual brake operating on rear axle.

Service brakes:

Dual circuit with vacuum servo.

Pad wear warning light for front and rear brakes.

## STEERING

Power steering. Steering wheel diameter 420 mm.

Three piece steering column with connecting universal joints.

## OTHER EQUIPMENT

- Spare wheel carrier located under the rear overhang.
- 100 litres on nearside with locking fuel cap.
- Front tow hook.

## CABIN

- Drivers airbag with seat belt pretensioners.
- Fully adjustable driver's seat with headrest.
- Three point inertia reel belt on all seats.
- Dual passenger seats with headrests.
- Cruise control.
- Electric windows.
- Exterior mirror with integrated wide angle and direction indicators, heated and electrically adjustable.
- Overhead console with storage shelf and standard space for additional equipment.
- Large dual storage pockets in doors.
- Underseat storage.
- Document storage compartment.
- Insulated compartment located on the dashboard.
- Body builders connectors.
- Single piece floor mat.
- 2 cup holders plus 1 bottle holder.
- Glove compartment with added storage.
- Additional in-dash storage.
- Clip holder.

# 50C18

## CAB CHASSIS

### DASHBOARD

- New soft-feeling anti-reflective material.
- Analogue electronic speedometer.
- Electronic tachometer.
- Fuel level indicator with reserve light indicator.
- Coolant temperature indicator with high temperature indicator light.
- Instrument light dimmer switch.
- Dash-mounted gear lever.
- 3 DIN drawers, one of which carries CD Player.
- LCD Display Panel includes: odometer; trip computer with distance, time, fuel consumption etc; headlamp orientation (dip/main); clock, external temperature, service indicator; gear selected with the automated transmission (only on *AGile*).
- Stereo radio/CD player (with CAN security).

### SECURITY

- Central locking with remote control and door locking management
- Steering lock
- Engine immobilizer actuated by transponder on ignition key.

### CONSTRUCTION & FINISH

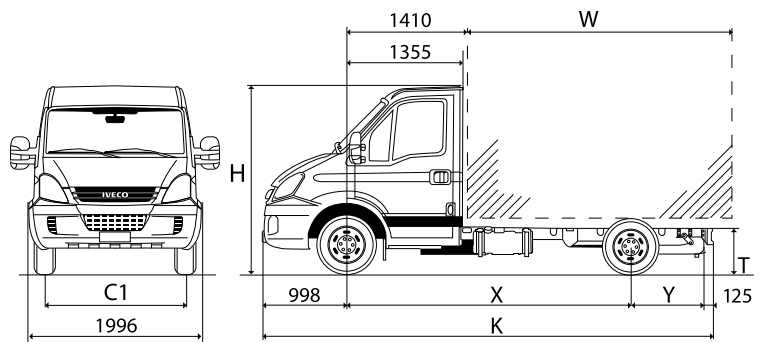
C-section steel longitudinal side members and tubular cross members with pressed steel unitary construction body mounted on rubber bushes. Anti-corrosion protection includes full cathophoretic dipping with galvanized boxed sections and strategic use of zinc plated panels in vulnerable areas. Protective under seal for all under body cabin area, wheel housings and engine area. Polypropylene bumper and side mouldings.

### CLIMATE CONTROL

Four speed electric fan with five different air distribution modes and cab recirculation. Windshield side window defroster and defogger through side and front fixed position air vents. Temperature-controlled air conditioned cab.

### OPTIONS

- *AGile* - 6 speed automated transmission.
- Passenger airbags with seat belt tensioners plus side window airbags.
- ESP - Electronic Stability Programme (includes ASR - Traction control, MSR - Motor Torque Reduction, HBA - Hydraulic Brake Assist, HILL HOLDER).
- ECAS - Electronically Controlled Air Suspension on rear axle.
- Suspended and heated driver and passenger seats.



### DIMENSIONS (mm)

X	Wheelbase	3750	4350
K	Overall length	6538	7358
H	Overall height (unladen)	2275	2270
C1	Front track	1696	1696
	Rear track	1541	1541
	Unladen frame height at front axle	595	593
T	Unladen frame height at rear axle	716	716
	Front ground clearance	196	196
	Rear ground clearance	177	177
Y	Rear overhang	1665	1885
	Turning circle: kerb to kerb	13400	16540
	Turning circle: wall to wall	14520	17660

#### Body Dimensions

W	Maximum body length <sup>#</sup>	4525 <sup>#</sup>	5344 <sup>#</sup>
	Maximum body width	2350	2350

#### Mass (kg)

GVM	4495 (optional 5200)	4495 (optional 5200)
Towing capacity with braked trailer*	3500*	3500*
Front axle capacity	1900	1900
Rear axle capacity	3700	3700
Kerb mass front axle	1395	1430
Kerb mass rear axle	655	645
Kerb mass total	2050	2075
Body and payload capacity	2445 (optional 3150)	2420 (optional 3125)

\* Subject to individual state regulations and requirements.

<sup>#</sup> Determined by legislative constraints and/or technical criteria for optional ride and handling.

Kerb masses are with full fuel tank, oil, water, spare wheel, tools and include driver at 75 Kg. Maximum body width subject to mirror and lighting requirements.



## 50C18

### Important

The illustrations and specifications ("material") in this brochure were correct at the time of publication but are subject to change without notice. The material is provided by way of general description only and all measurements and specifications should be regarded as approximate. Availability of vehicles and all other items referred to in this brochure will depend on local and overseas supply conditions from time to time. Accordingly, before placing an order you should consult your nearest authorised Iveco dealer to obtain accurate and up-to-date information on models specifications, features, availability and prices.

## **IVECO**

### **Iveco Trucks Australia Limited**

A.B.N 86 004 065 061

Princes Hwy, Dandenong Victoria 3175

P.O. Box 117 Dandenong Victoria 3175

Telephone: (03) 9238 2200

Facsimile: (03) 9238 2387

[www.iveco.com.au](http://www.iveco.com.au)

The information in this literature is intended to be of general nature only. Iveco reserves the right to modify or change specifications at any time. For more detailed information refer to your dealer.